

Installation and Operating Instructions

Bulletin 440P-WC2 & 440P-WC2B Adjustable Lever

IMPORTANT: SAVE THESE INSTRUCTIONS FOR FUTURE USE.

This publication does not include all specifications, dimensions, or any special installation considerations. Refer to the product catalog pages for additional information.



ATTENTION: To avoid electrical shock and unintended operation of equipment, disconnect all power to the limit switch and the controlled equipment before proceeding with any repair or adjustment of the limit switch.



ATTENTION: Operator heads with adjustable actuators should **NOT** be used for safety applications.

General Data

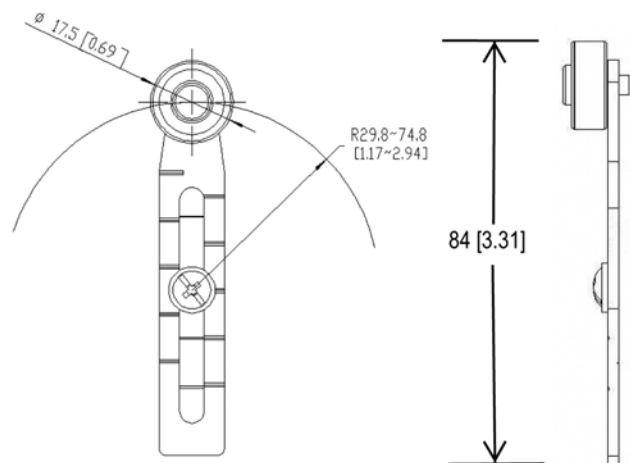
- Designed for 440P-C adjustable lever limit switches
- Nylon or metal roller
- Roller diameter 17.5 mm (0.68 in.) x width 7 mm (0.28 in.)
- Lever radius adjustable 45...90 mm (1.77...4.54 in.)
- Lever length 84 mm (3.31 in.)
- Includes Philips head screw

Principles, Standards, and Implementation

Operating specifications must be followed. Actuators should be displaced beyond the point where direct opening action occurs. If adjustable actuators become loose they may defeat the direct opening action feature of the limit switch. These devices are not to be used to directly control a motor.

IMPORTANT: Installation of Allen-Bradley limit switches should be in accordance with local and/or national codes. Servicing energized industrial control equipment can be hazardous if not in accordance to recommended safety procedures.

Approximate Dimensions [mm (in.)]



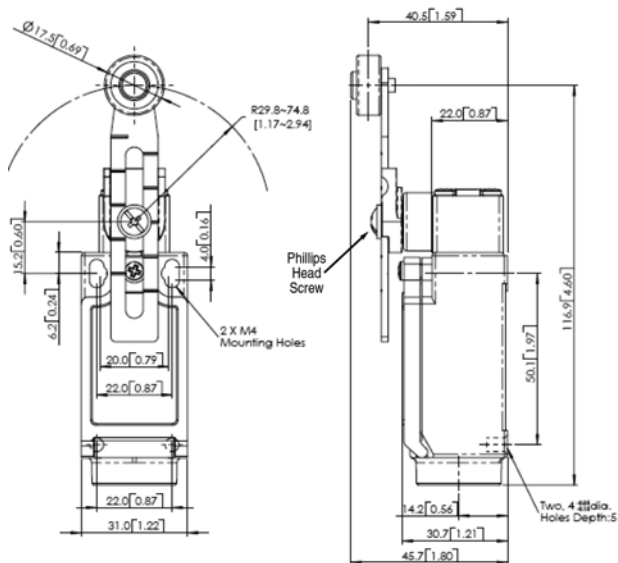
Instructions

1. Insert Philips head screw through the adjustable lever arm slot.
2. Align the Philips head screw with the operating head shaft hole.
3. Position the adjustable lever arm to the desired length.
4. Tighten the Philips head screw to 1.4...1.5 N•m (12.39...13.28 lb•in).



Adjustable lever shown installed

Mounting Dimensions [mm (in.)]



ATTENTION: Under no circumstances must the switch be actuated beyond the mechanical travel specified. Serious damage to the device and property could result.

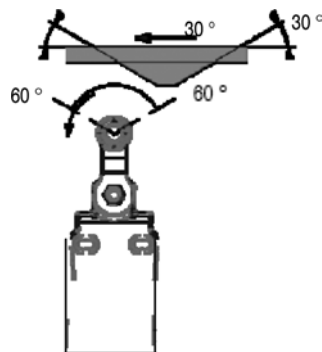
Maintenance

These devices require little maintenance, but routine visual inspection is recommended to keep foreign debris from collecting on the exterior actuators and rollers.

Removing the operator head is not recommended as loose internal components may be lost or improperly re-installed.

Actuation Guidelines

The method of actuation and over travel has significant influence on the service life of the limit switch. To maximize the service life, it is recommended to provide an actuator with a 30° pressure angle and a surface hardness of RC-45 max.



Torque Specifications

Location	Torque
Philips head screw	1.4... 1.5 N•m (12.39... 13.28 lb•in)

www.rockwellautomation.com

Power, Control and Information Solutions Headquarters

Americas: Rockwell Automation, 1201 South Second Street, Milwaukee, WI 53204-2496 USA, Tel: (1) 414.382.2000, Fax: (1) 414.382.4444
 Europe/Middle East/Africa: Rockwell Automation NV, Pegasus Park, De Kleetlaan 12a, 1831 Diegem, Belgium, Tel: (32) 2 663 0600, Fax: (32) 2 663 0640
 Asia Pacific: Rockwell Automation, Level 14, Core F, Cyberport 3, 100 Cyberport Road, Hong Kong, Tel: (852) 2887 4788, Fax: (852) 2508 1846

Drwg. No. 10000101184 Ver 00
 February 2011
 Printed in USA